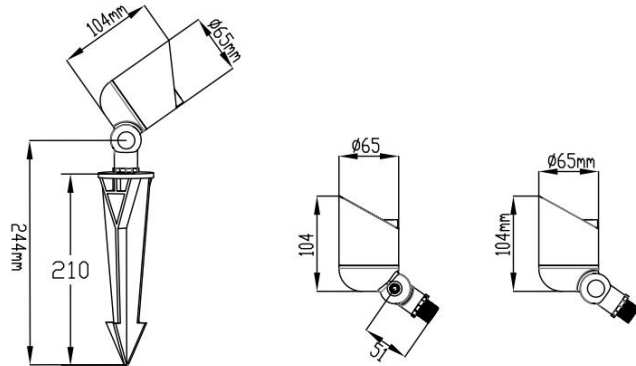




LED LANDSCAPE LIGHTING--BL3 SPECIFICATIONS



Features

- High CRI LED >90Ra offering the best lighting emitting effect
- Interchangeable led module patent design replace module effortlessly
- Cast brass construction with antique bronze finish for lifetime durability
- Overheat protection using thermal fold-back LED driver to allow longer lifetime
- Double O-ring and coating on circuit boards to prevent water intrusion and corrosion

Specification:

WATT	13
CCT	2700K /3000K/3500K/4000K/5000K/6000K
BEAM ANGLE	60°
INPUT	8-16V ac/dc
IP RATING	IP67
HOUSING	Cast brass
FINISH	Antique bronze
LIFESPAN	50,000 hrs
LEAD WIRE	8ft SPT1 lead wire

Special Notes

- Not for underwater applications
- Do not work with triac dimmers
- Do not work with electronic transformers
- Work with both AC and DC Voltage

Package information

Item No.	QTY/CTN(pcs)	CARTON SIZE(mm)	GW/CARTON (kg)
K22-BL3-13W	16	295*255-360	20