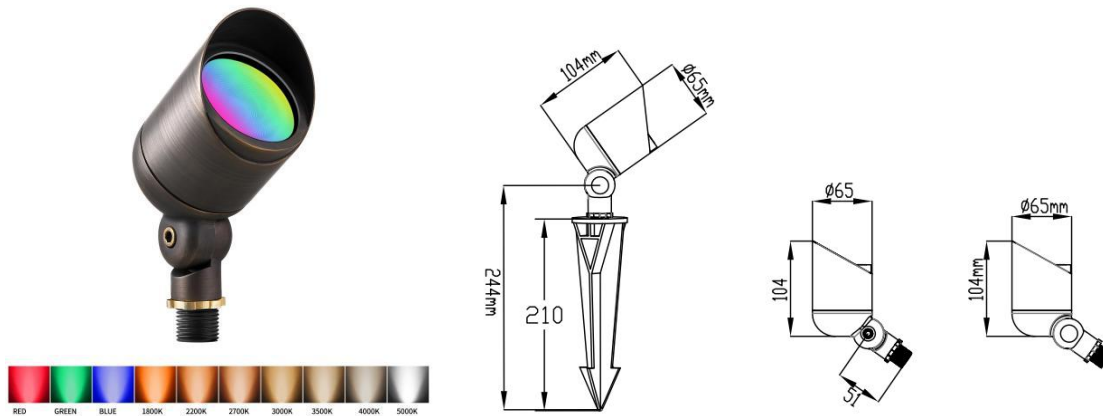




RGBCW LED LANDSCAPE LIGHTING--BL3 SPECIFICATIONS



Features

- Color changing and CCT tunable control by App and remote controllers
- Zoning, timing, dimming, sync functions by App
- Cast brass construction with antique bronze finish for lifetime durability
- Overheat protection Thermal fold-back LED driver to allow longer lifetime
- Double O-ring and coating on circuit boards to prevent water intrusion and corrosion

Specification:

	R	G	B	2200K	2700K	3000K	4000K	5000K
WATT	13	13	13	13	13	13	13	13
LUMENS	310	510	100	510	550	570	635	680
BEAM ANGLE	60°							
INPUT	8-16V ac/dc							
IP RATING	IP67							
HOUSING	Cast brass							
FINISH	Antique bronze							
LIFESPAN	50,000 hrs							
LEAD WIRE	8ft SPT1 lead wire							

Smart Control Function:

- Use this system to group devices; to create scenes; to time the devices, to dim the brightness from 0 to 100; to change the colors; to adjust the color temperature(CCT) between 2200K and 5000K.
- In this system, all lights synchronize well in a group
- A Signal repeater is necessary for a site area 98ft
- Up to 30,000 devices are allowed to add into the system. Using batch operation to add and remove devices from the App at one time, fast transmission

APP Download Entrance



Megrez Smart
(For Apple Devices)



Megrez Smart
(For Android Devices)