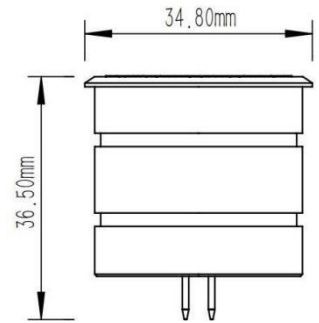




LED LANDSCAPE LIGHTING BULB--K23MR11

Description

MR11 LED replacement bulb with typical white color, Die cast aluminum housing with sufficient thermal management; 90Ra minimum CRI; Dimmable with magnetic transformers; Thermal fold-back featured LED driver to prevent LEDs from overheat damage; Suitable for enclosed brass fixtures .



Features

- LED COB, coupled with COB lens to deliver better light distribution
- High CRI 90Ra+ offering the best lighting emitting effect
- Die cast aluminum lamp housing
- Overheat protection Thermal fold-back LED driver to allow longer lifetime
- Conformal coating on circuit boards to prevent corrosion and moisture
- Dimmable with Most Magnetic Transformers

Specifications

CCT	2700K/3000K/3500K/4000K/5000K
WATT	3W
CRI	>90Ra
BEAM ANGLE	60°
INPUT	8-16V ac
IP RATING	IP64
HOUSING	Die cast aluminum
FINISH	Black/Blue
LIFESPAN	50,000 hrs
LAMP BASE	GU4

Special Notes

- Not for underwater applications
- Do not work with triac dimmers
- Do not work with electronic transformers
- Work with both AC and DC Voltage

Package information

Item No.	QTY/CTN(pcs)	CARTON SIZE(mm)	GW/CARTON (kg)
K23-GU4	100	220*200*315	5.5