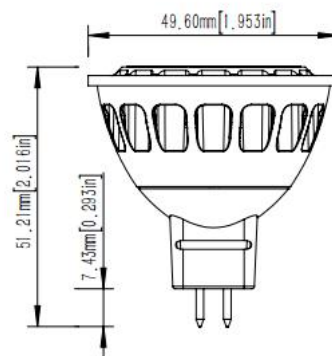




LED LANDSCAPE LIGHTING BULB-K22MR16



Features

- LED COB, coupled with COB lens to deliver better light distribution
- High CRI 90Ra+ offering the best lighting emitting effect
- Die cast aluminum lamp housing
- Overheat protection Thermal fold-back LED driver to allow longer lifetime
- Conformal coating on circuit boards to prevent corrosion and moisture
- Dimmable with Most Magnetic Transformers

Specifications

CCT	2700K/3000K/3500K/4000K/5000K
WATT	3W/5W
CRI	>90Ra
BEAM ANGLE	60°
INPUT	8-16V ac
IP RATING	IP64
HOUSING	Die cast aluminum
FINISH	Black/Blue
LIFESPAN	50,000 hrs

Special Notes

- Not for underwater applications
- Do not work with triac dimmers
- Do not work with electronic transformers
- Work with both AC and DC Voltage

Package information

Item No.	QTY/CTN(pcs)	CARTON SIZE(mm)	GW/CARTON (kg)
K22-BL3-13W	100	285*230*345	7