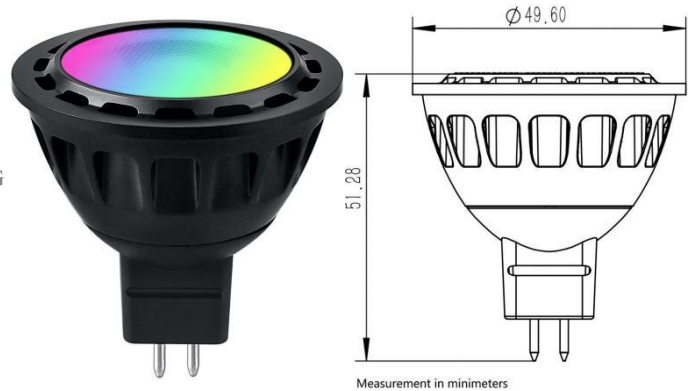




## RGBCW LED LANDSCAPE LIGHTING BULB--K22MR16

### Description

Smart RGBCW MR16 bulb is designed and engineered for outdoor landscape using; Die cast aluminum housing is perfect for heat dissipation and thermal fold-back driver to prevent lamp from overheat damage; 2.4G and Bluetooth 5.0 dual-enabled signal to dim lights by both remote and APP, RGBW color changing and CCT Tunable function; Specifically designed optic suitable for RGBW lighting; Ideal choice for drop-in fixtures carrying MR16 bulbs.



### Features

- Color changing and CCT tunable control by App and remote controllers
- Zoning, timing, dimming, sync functions by App
- Die cast aluminum lamp housing
- Overheat protection Thermal fold-back LED driver to allow longer lifetime
- Conformal coating on circuit boards to prevent corrosion and moisture

### Specifications

	R	G	B	2200K	2700K	3000K	4000K	5000K
WATT	5	5	5	5	5	5	5	5
LUMENS	140	220	45	220	235	250	285	310
BEAM ANGLE	60°							
INPUT	8-16V ac							
IP RATING	IP64							
HOUSING	Die cast aluminum							
FINISH	Black/Blue							
LIFESPAN	50,000 hrs							
LEAD WIRE	GU5.3							

### Smart Control Functions

- Use this system to group devices; to create scenes; to time the devices, to dim the brightness from 0 to 100; to change the colors; to adjust the color temperature(CCT) between 2200K and 5000K.
- In this system, all lights synchronize well in a group
- A Signal repeater is necessary for a site area 98ft
- Up to 30,000 devices are allowed to add into the system. Using batch operation to add and remove devices from the App at one time, fast transmission

APP Download Entrance



Megrez Smart  
(For Apple Devices)



Megrez Smart  
(For Android Devices)