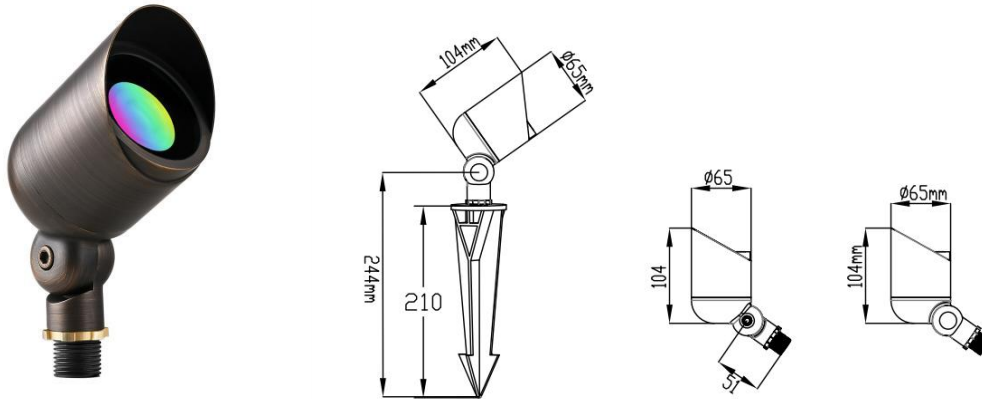




RGBCW LED LANDSCAPE LIGHTING--BL3 with MR16 LAMP



Features

- Color changing and CCT tunable control by App and remote controllers
- Zoning, timing, dimming, sync functions by App
- Cast brass construction with antique bronze finish for lifetime durability
- Overheat protection Thermal fold-back LED driver to allow longer lifetime
- Double O-ring and coating on circuit boards to prevent water intrusion and corrosion

Specification:

| | R | G | B | 2200K | 2700K | 3000K | 4000K | 5000K |
|------------|--------------------|-----|----|-------|-------|-------|-------|-------|
| WATT | 5 | 5 | 5 | 5 | 5 | 5 | 5 | 5 |
| LUMENS | 140 | 220 | 45 | 220 | 235 | 250 | 285 | 310 |
| BEAM ANGLE | 60° | | | | | | | |
| INPUT | 8-16V ac/dc | | | | | | | |
| IP RATING | IP67 | | | | | | | |
| HOUSING | Cast brass | | | | | | | |
| FINISH | Antique bronze | | | | | | | |
| LIFESPAN | 50,000 hrs | | | | | | | |
| LEAD WIRE | 8ft SPT1 lead wire | | | | | | | |

Smart Control Function:

- Use this system to group devices; to create scenes; to time the devices, to dim the brightness from 0 to 100; to change the colors; to adjust the color temperature(CCT) between 2200K and 5000K.
- In this system, all lights synchronize well in a group
- A Signal repeater is necessary for a site area 98ft
- Up to 30,000 devices are allowed to add into the system. Using batch operation to add and remove devices from the App at one time, fast transmission

APP Download Entrance



Megrez Smart
(For Apple Devices)



Megrez Smart
(For Android Devices)