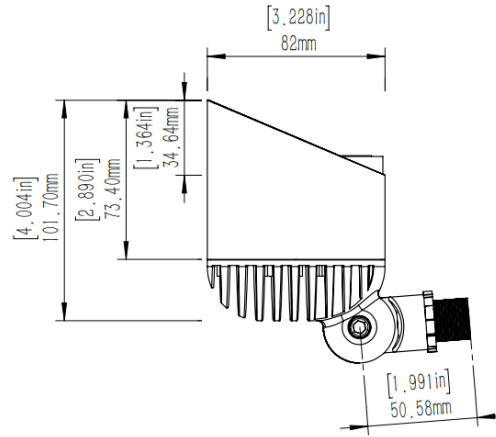




LED Spotlight(replaceable led module design)—K23-BL4F



Features

- Replaceable led module, screw in and out design with Pego pin contact
- Assemble or replace light source effortlessly
- High CRI LED >90Ra offering the best lighting emitting effect
- Cast brass construction with antique bronze finish for lifetime durability
- Overheat protection with thermal fold-back LED driver and cooling fin to allow longer lifetime
- Thick O-ring and coating on circuit boards to prevent water intrusion and corrosion

Specification:

Watt	20W
CCT	2700K /3000K/3500K/4000K/5000K/6000K
Lumen	>70lm/w
Beam Angle	36° /60°
Input	8-16V ac/dc
IP Rating	IP67
Housing	Cast brass
Finish	Antique bronze/customized
Lifespan	50,000 hrs
Lead Wire	8ft SPT1 /customized
Warranty	5years

Special Notes

- Not for underwater applications
- Do not work with triac dimmers
- Dim with most magnetic transformers
- Work with both AC and DC Voltage