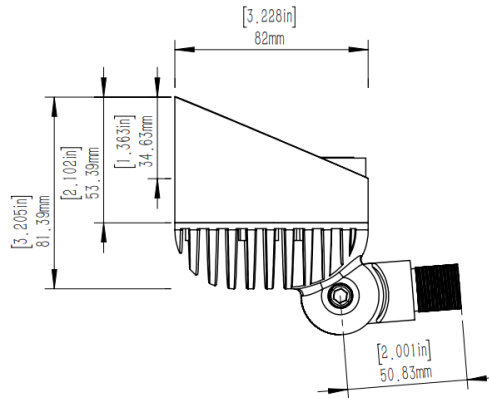




## RGBCW Integrated LED Spotlight—K23B-BL4F



### Features

- Integrated RGBCW LED light source produce vivid and powerful colors
- Color changing and CCT tunable control by App and remote controllers
- Cast brass construction with antique bronze finish for lifetime durability
- Overheat protection with thermal fold-back LED driver and cooling fin to allow longer lifetime
- Double O-ring and coating on circuit boards to prevent water intrusion and corrosion

### Specification:

	R	G	B	2200K	2700K	3000K	4000K	5000K
Watt	18	18	18	18	18	18	18	18
Lumens	350	540	110	600	630	670	750	790
Beam Angle	36° 60°							
Input	8-16V ac/dc							
IP Rating	IP65							
Housing	Cast brass							
Finish	Antique bronze/customized							
Life span	50,000 hrs							
Lead Wire	8ft SPT1 or customized							

### Smart Control Function:

- Use this system to group devices; to create scenes; to time the devices, to dim the brightness from 0 to 100; to change the colors; to adjust the color temperature(CCT) between 2200K and 5000K.
- In this system, all lights synchronize well in a group
- A Signal repeater is necessary for a site area 98ft
- Up to 30,000 devices are allowed to add into the system. Using batch operation to add and remove devices from the App at one time, fast transmission

APP Download Entrance



Megrez Smart  
(For Apple Devices)



Megrez Smart  
(For Android Devices)